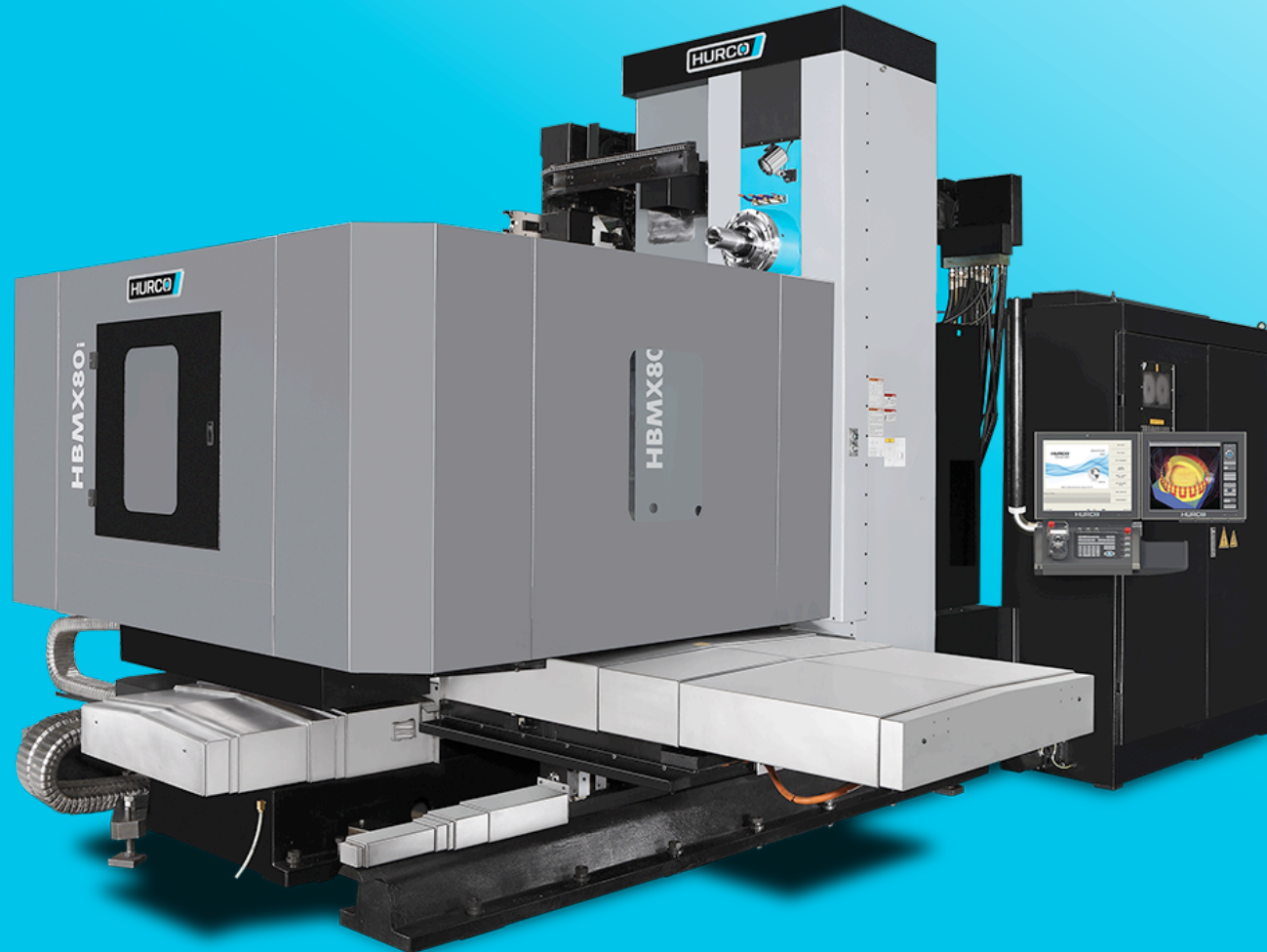


Boring Mill

HBMX 80i



mind over metalSM

HURCO[®]

Keydata



	HBMX 80i
Travels (X/Y/Z/Bar) [mm]	2,000 / 1,780 / 1,650 / 500
Spindle Speed, Gear Range 1 / 2 [1/min]	454 / 2,500
Spindle Power [kW]	30
Torque, Gear Range 1 / 2 [Nm]	1500 / 412
ATC stations (option)	60 (90)

Table of Content

- [Technical Specification](#)
- [Operating Dimensions](#)
- [Table & Spindle Clearances](#)
- [Foundation](#)

Technical Specification

Machine Capacity		Feederates	
Travels X/Y/Z/Bar (W axis) [mm]	2,000 / 1,780 / 1,650 / 500	Cutting feedrate X / Y / Z / W [m/min]	7.6 / 7.6 / 7.6 / 4
Spindle Nose To Table Center [mm]	130 - 2280	Rapids X / Y / Z / W [m/min]	10 / 10 / 10 / 4
Table Working Surface W x D [mm]	1,440 x 1,600	Rapids B [RPM]	1
T – Slots (DIN 650)	9 x 24mm x 160mm	Axis Thrust X/Y/Z/W [kN]	94/64/94/64
Max. load (uniform distribution) [kg]	6,300	Automatic Tool Changer	
Spindle		Number of stations (option)	60 (90)
Spindle Taper (DIN 69871 A)	SK50	Max. Tool Diameter / Adjacent Sides Empty [mm]	120 / 250
Spindle Speed, Gear Range 1 / 2 [1/min]	454 / 2,500	Max. Tool length [mm]	400
Spindle Power [kW]	30	Max. Tool weight [kg]	25
Torque, Gear Range 1 / 2 [Nm]	1,500 / 412	ATC Time (Tool to tool) [sek.]	15
Retention knobs	ISO 7388/II B	ATC Time (Chip to chip) [sek]	43
Accuracy (VDI / DGQ 3441)		Service Requirements / Weights	
Positioning Linear [mm]	0.025 (Full travel)	Electrical	86kVA/ 125A / 400V
Repetability P _s [mm]	0.015	Air (Dry, clean air acc. DIN/ISO 8573-1, class 4)	7bar / 150 l/min
Positioning Rotary (B axis) [arc seconds]	18	Machine Weight [kg]	23,500*
Repetability Rotary (B axis) [arc seconds]	12	Shipping Weight [kg]	25,600*

*due to the position of the mass center of the machine, for unloading by forklift it is recommended to plan with a higher carrying capacity of 30%

[Back to Content](#)

Operating Dimensions with CE Fence

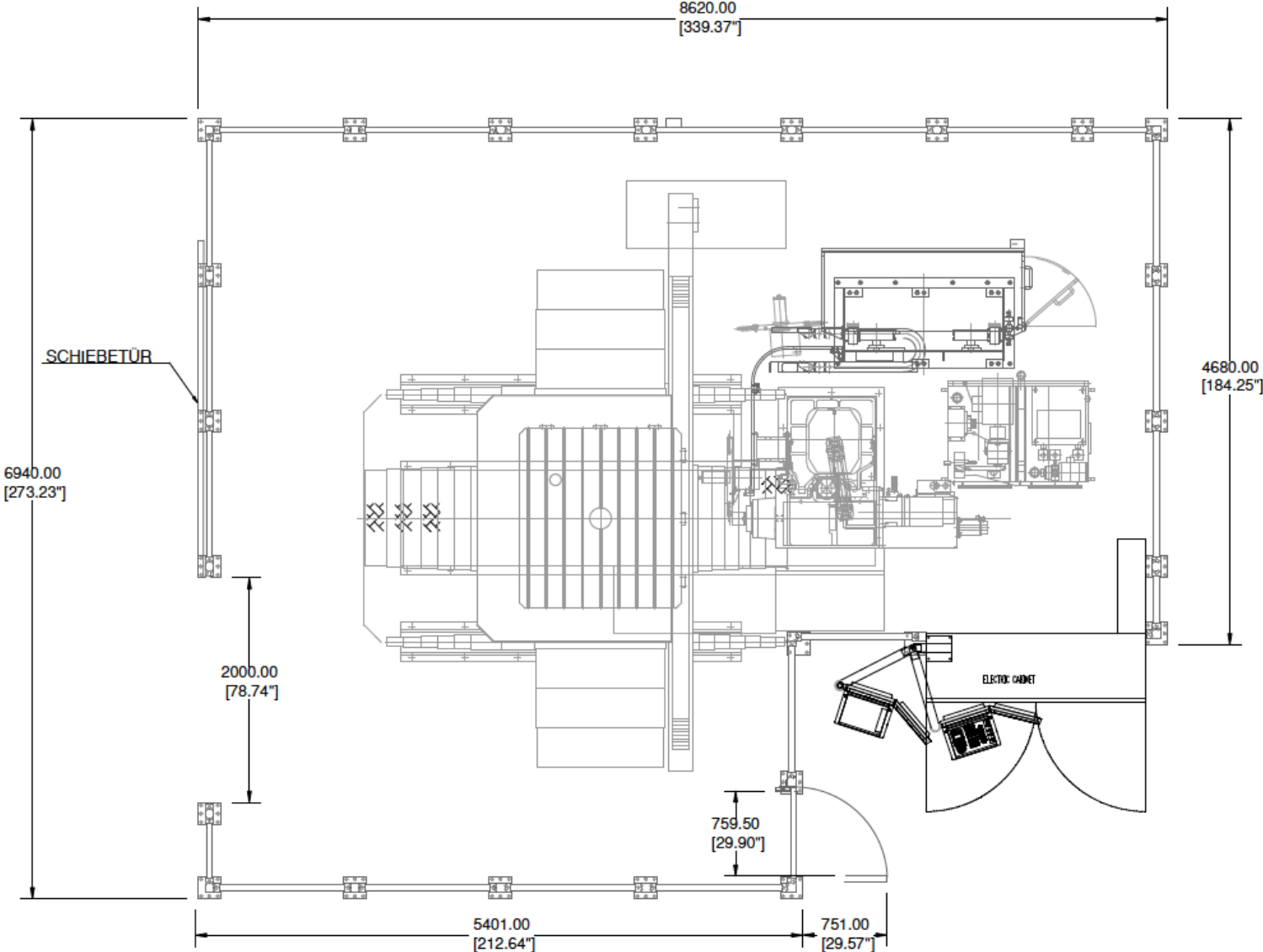
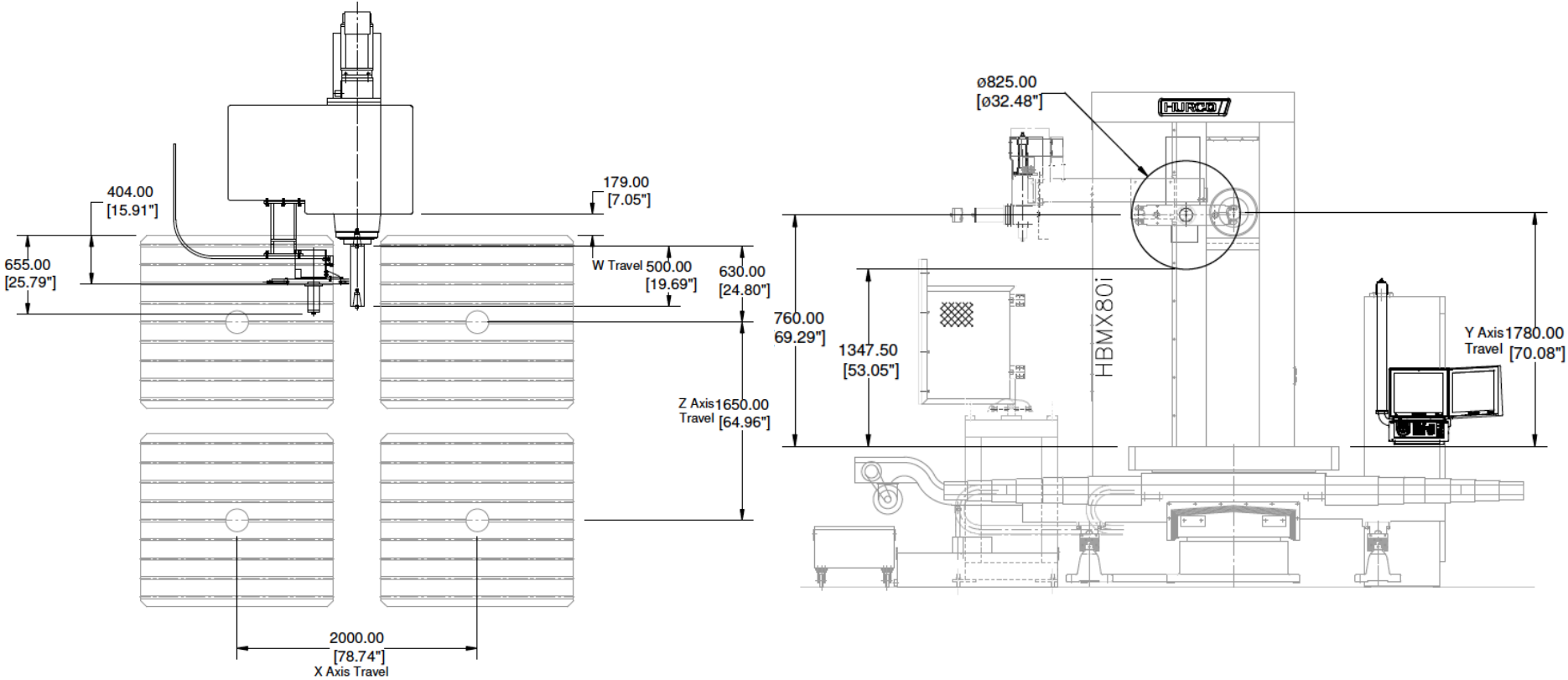
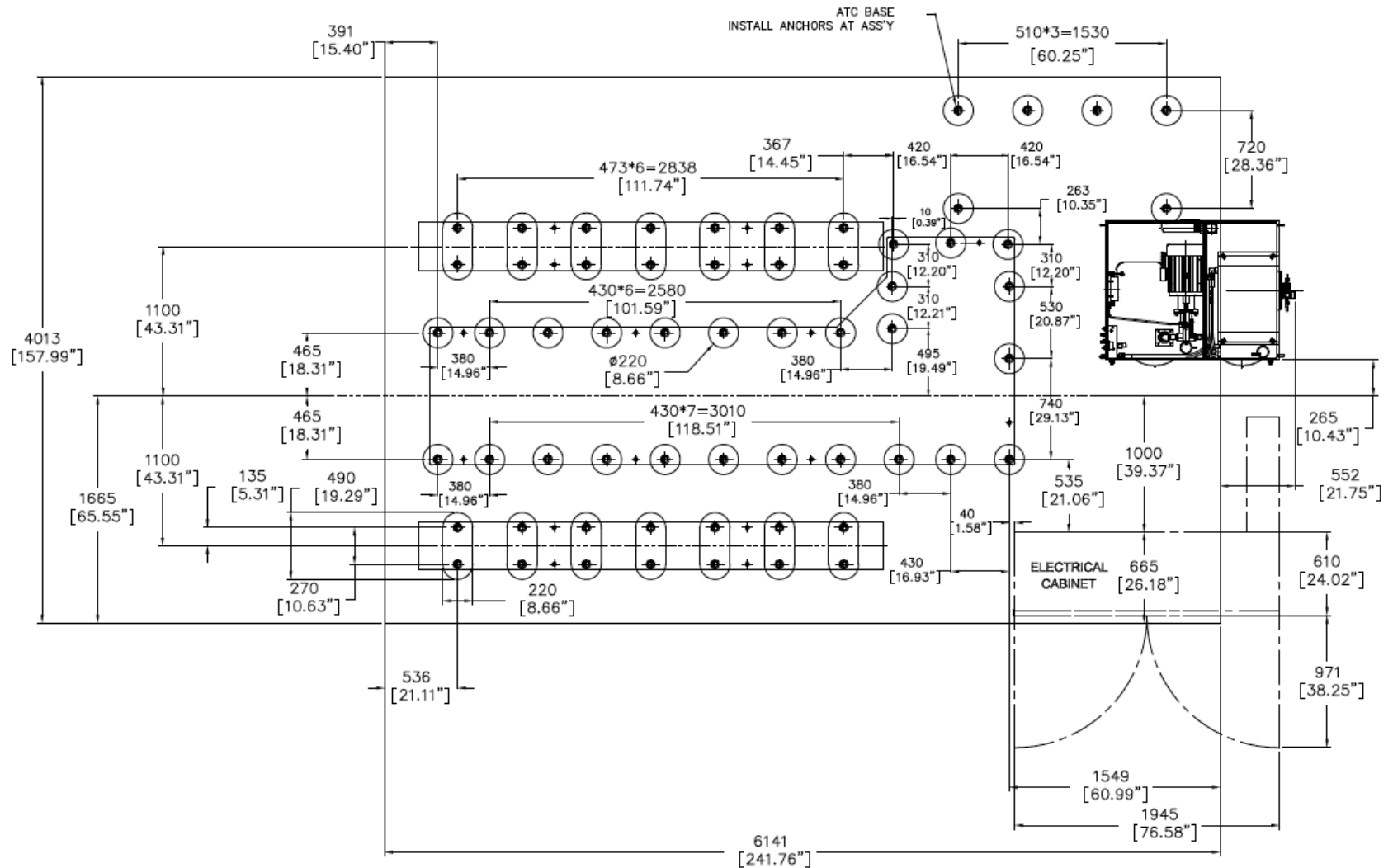


Table & Spindle Clearances



[Back to Content](#)

Foundation



[Back to Content](#)



mind over metalSM

HURCO[®]